

## ◆ Installation ◆

### Important notice

All wood based products, even those specifically designed to have increased resistance to moisture, are hygroscopic (they will react to the moisture in the environment) and as a result will expand or contract accordingly. All sources of under floor moisture must be rectified prior to the installation of the floor. Any construction dampness must be completely dry. Although this product has been designed with bathroom installation in mind it is not waterproof and excessive wetting is to be avoided and water spillages dried immediately. It is important that you check each plank for any manufacturing defects. Any faults must be reported back to the store of purchase for an immediate refund or replacement prior to the flooring being installed.

### I. Before You Start/ Preparations

Please read all the instructions before you begin the installation. Improper installation will void warranty.

- Calculate the room surface prior to installation and plan an extra 10% of flooring for waste.
- Keep the boards flat in the room where they will be installed in the unopened package before you start installation to acclimate. The room temperature must be between 65-78°F (18-25°C) before and during the installation. If the relative humidity in the room is between 35% and 70% the product should be acclimated for 24 hours or more. If the relative humidity is below 35% or above 70% the product should be acclimated for 48 hours or more.
- Relative humidity levels of your room should be maintained at 35%-70% at 65-78°F (18-25°C).
- For floor surfaces exceeding 400m<sup>2</sup> (4350 ft<sup>2</sup>) and or lengths exceeding 20m (66 feet) and overlaps to new rooms and floor surface which do not join symmetrical-ly, use expansion joints to divide the floor sections.
- Inspect your subfloor before you begin. It must be clean, dry (max. 2.5% moisture content - CM method) and level to 5mm (3/16") within a 3 meters (10 foot) span.
- If this flooring is intended to be installed over an existing wooden floor, it is recommended to repair any loose boards or squeaks before you begin installation.
- With a floating floor you must always ensure you leave a 1cm (1/2") gap between walls and fixtures such as pipes and pillars, stairs, etc. Tip: When installing around pipes, drill the holes 20 mm (3/4") larger than the diameter of the pipes.
- A vapor barrier to be installed over concrete substrates. In the case installation is done over a wood substrate on or below grade, a vapor barrier must be installed if there is not a vapor barrier existing in a well-ventilated crawl space. A minimum 0.15mm (6 mil) plastic poly sheeting should be used as a moisture barrier. Underlayment's thicker than 3mm (1/8") are not advised.
- Decide the installation direction. It is recommended to install the length direction of the planks parallel to the main light direction.
- Measure the area to be installed: The board width of the last row shall not be less than 50mm (2"). If so, adjust the width of the first row to be installed. When measuring, take the free gap requirement of about 10mm (1/2") of the floor perimeter into account. In narrow hallways, install the floor parallel to the lengthways.
- Inspect your laminate flooring. No claims on surface defects will be accepted after installation

### IMPORTANT NOTICE

**In-Floor Radiant Heat:** Flooring can be installed over 1/2" (12mm) embedded radiant heat. Radiant heat systems must have a minimum of 1/2" (12mm) separation from the product. Maximum operating temperature should never exceed 85°F (30°C). Use of an in-floor temperature sensor is recommended to avoid overheating.

## ◆ Installation ◆

- Before installing over newly constructed radiant heat systems, operate the system at maximum capacity to force any residual moisture from the cementitious topping of the radiant heat system. The maximum moisture content should be 2.5% (CM method). Before starting the installation, turn the heat off for 24 hours before, during and 24 hours after installation.
- Make sure that the temperature in the room is at between 60°F (15°C) and 80°F (25°C) during installation.
- Once the installation has been completed, the heating system should be turned on and increased gradually (5 degree increments) until returning to normal operating conditions.
- Refer to the radiant heat system's manufacturer recommendations for additional guidance.

**Warning:** Electric heating mats that are not embedded into the subfloor are not recommended for use underneath the flooring. Using electric heating mats that are not embedded and applied directly underneath the flooring will void the warranty.

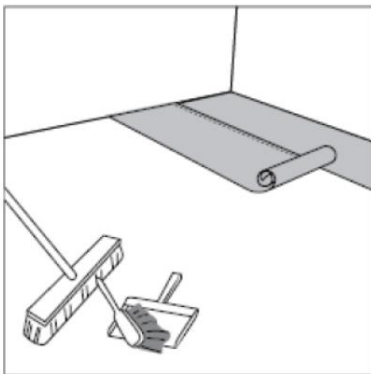
### Tools and Supplies Required

- Foam Underlay • Spacers • Saw • Adhesive Tape • Minimum 6 mil poly vapor barrier for crawl space and concrete floor installations • Rubber Mallet • Ruler • Pencil • Tape Measure • Utility Knife • Construction Adhesive

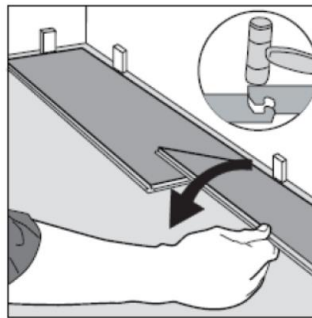
### For Bathroom, Laundry Room or Commercial Installations

It is important to seal any cut planks to ensure superior and warranted performance. When a flooring plank is cut to fit (either end cuts or side cuts), a sealant is always required around the perimeter of the installation.

- Once the flooring installation is completed, a general Silicone based sealant should be applied around the perimeter (in the expansion space at walls). This should also include any other areas such as islands, doorways, columns, etc. where the laminate flooring planks have been cut to fit.

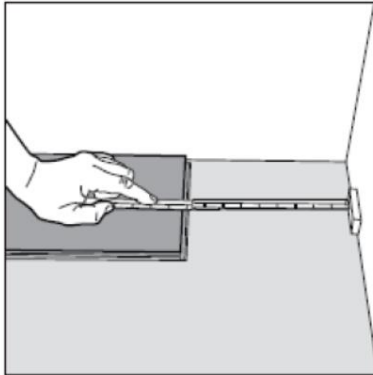


**1.** After thoroughly cleaning the subfloor, you must install a foam underlay. Run the foam underlay in the same direction as the flooring planks. The underlay should be butted side-by-side with no overlap. Tape seams together. If you are installing over a concrete subfloor, a 6-mil poly (plastic sheeting) is to be installed under the foam underlay. (Many foam underlays already have this plastic sheeting pre-attached).

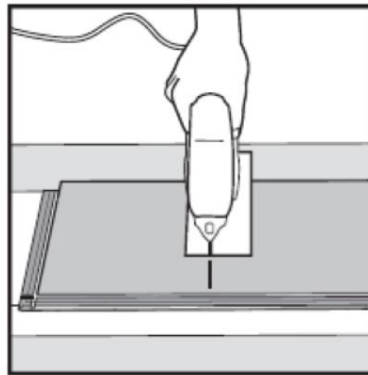


**2.** Begin laying in the left-hand corner. Place the floorboard 10mm (1/2") from the left wall. Use spacers between the wall and the floorboard. into the previous plank until both are at the same height. Second Plank, first row. Drop the plank and gently press down the end with a rubber mallet so it firmly locks. Make sure both planks are perfectly aligned. **NOTE:** If you notice both planks aren't at the same height or are not well locked together, please follow the disassembling instructions at the bottom of the page, disassemble and check if any debris stuck inside the lock is obstructing.

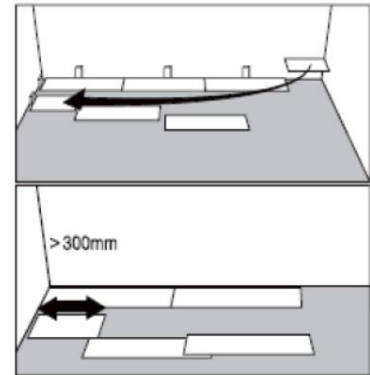
◆ Installation ◆



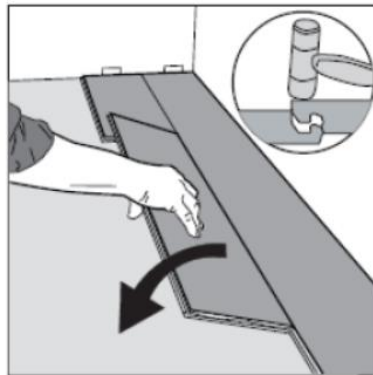
3. At the end of the first row, leave an expansion gap of 10mm (1/2") to the wall and measure the length of the last plank to fit.



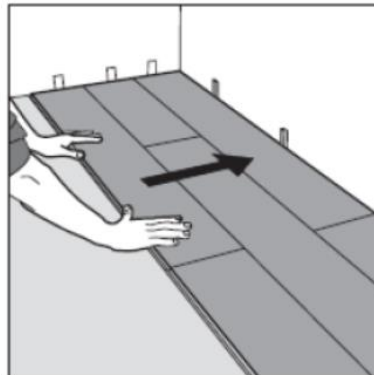
4. If cutting with a jig saw, the laminate surface should be turned down. If cutting with a hand saw, the laminate surface should be face up.



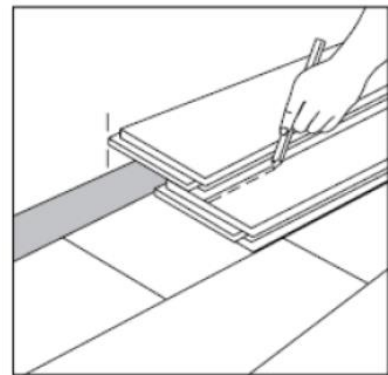
5. Start the second row with the leftover cut part of the last plank of the previous row. This small plank should measure at least 30cm (12"). Otherwise, use another plank that should be cut in two. At any case, the short sides cut are distant from at least 30cm (12")



6. Click the long side of the plank into the previous row and place it tight to the short end of the previous plank. Drop the plank and gently press down the end with a rubber mallet so it firmly locks into the previous plank until both are at the same height. Make sure both planks are perfectly aligned and locked into the previous row leaving no gap (refer to "Helpful Hint" at the bottom of the page). NOTE: If you notice both planks aren't at the same height or are not well locked together, please follow the disassembling instructions at the bottom of the page, disassemble and check if any debris stuck inside the lock is obstructing.



7. After 2-3 rows. Adjust the distance to the front wall by leaving an expansion gap of 10mm (1/2"). Always ensure that the end joints are staggered at least 30cm (12"), both when in the same row as when from one row to the next one.



8. To lay the last row: position a loose board exactly on top of the last row laid. Place another board on top, with the tongue side touching the wall. Draw a line along the edge of this boards, to mark the first board. Cut along this line to mark the first board. Cut along this line to obtain of the required width. Insert this cut board against the wall. The last row should be at least 50mm (2") wide. The spacers can then be removed.

◆ Installation ◆

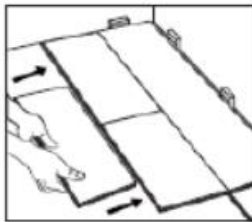


9. Holes for pipes: measure the diameter of the pipe and drill a hole that is 20mm (7/8") larger. Saw off a piece as shown in the figure and lay the board in place on the floor. Then lay the sawed-off piece in place.



10. Door molding and skirting: lay a board (with the decorative side down) next to the door molding and as shown in the figure. Then slide the floorboard under molding.

**Helpful Hint**



When installing each new row, take a full loose plank and use the long side to tap against the prior row to ensure no gapping.

**II. Maintenance**

Clean the floor regularly with a vacuum cleaner or dry mop. If necessary, the floor may be cleaned with a wet mop and a laminate cleaner. Avoid using too much water. To protect the floor from sand we recommend you to use the doormats at entries (but do not use mats with a rubber backing).

**III. Disassembling**



Separate the whole row by lifting it up delicately at an angle. To separate the planks, leave them flat on the ground and slide them apart.